



SmartKing™ outdoor L-bracket for 3000N

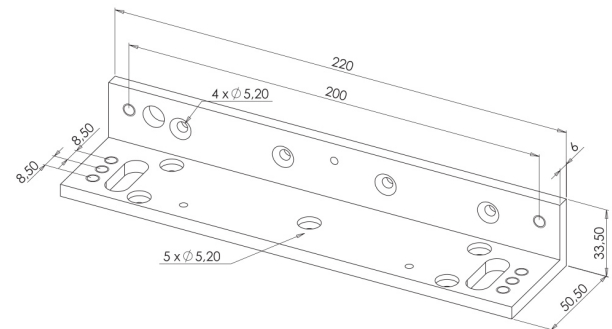


CHARACTERISTICS

- Outdoor L-bracket for 3000N
- Brackets are made of aluminum with anodising finishing
- Screws are made of with zinc plating finishing (corrosive resistant)
- Thickness: 6mm
- Dimensions: 216mm (l) x 50,5mm (w) x 33mm (h)
- 5 year warranty

TECHNICAL SPECIFICATIONS

- Thickness: 6mm
- Dimensions: 216mm (l) x 50,5mm (w) x 33mm (h)
- Material brackets : aluminum with anodising finishing
- Material screws: zinc plating finishing, corrosive resistant



ORDER INFORMATION

- EM205550 -SmartKing™ outdoor L-bracket for 3000N